



TWISTER-CI170C

Embedded Computer with 6th / 7th Gen Intel® Skylake-S / Kaby Lake-S i7 / i5 / i3 processor

Features:

- 6th / 7th Gen Intel® Skylake-S / Kaby Lake-S i7 / i5 / i3 CPU / Q170 Chipset
- 2 x DDR4 SODIMM socket, Max. 64GB
- Multiple Independent display: DP, HDMI & DVI
- 5 x Intel GbE LAN, 4 x USB 3.0, 5 x COM
- 1 x PCIe x 16, 2 x Mini PCIe, 1 x M.2, 2 x SIM

Specifications :

| | | |
|------------------------------|--|---------------------------|
| Motherboard | CI170C | |
| CPU | 6th / 7th Gen Intel® Skylake-S / Kaby Lake-S i7 / i5 / i3 CPU | |
| Chipset | Intel® Q170 | |
| Memory | 2 x DDR4 SODIMM, Max. 64GB | |
| Storage | mSATA, M.2, HDD / SSD* | |
| Expansion slots | 1 x PCIe x 16 | |
| | 1 x Full-size Mini PCIe (PCIe / mSATA / USB) | |
| | 1 x Full-size Mini PCIe (PCIe / USB) | |
| | 2 x SIM | |
| I/O ports | Network | 5 x Intel GbE |
| | USB | 4 x USB 3.0 |
| | Serial ports | 5 x RS232 / 422 / 485 |
| | Display | 1 x DP, 1 x HDMI, 1 x DVI |
| Optional Modules & Accessory | GPS, Bluetooth, PoE, WiFi, 4G LTE, Isolated COM, battery UPS, DI/DO, Video Input *SATA Kit, *Wall Mount Kit, *VESA Mount Kit | |
| OS Support | 7th Generation Intel® Core™ Processor family: Kaby Lake Windows® 10 IOT (64bit), Ubuntu 16.04.3 above, Fedora 26 above, CentOS 7.4 above 6th Generation Intel® Core™ Processor family: Skylake Windows® 10 IOT (64bit) Windows® 8.1 (64bit) Windows® Embedded 8 Standard (64bit) Windows® 7 (64bit) Windows® Embedded Sta 7 (64bit) Ubuntu 16.04.3 above, Fedora 26 above, CentOS 7.4 above | |

Mechanical

| | |
|--------------|--|
| Dimensions | 300W x 200D x 85H mm |
| Weight | 2.9 kg |
| Mounting | Wall Mount*, VESA Mount* |
| Power | |
| DC input | +12V |
| AC input | External adapter 100 / 240V AC-DC 84W |

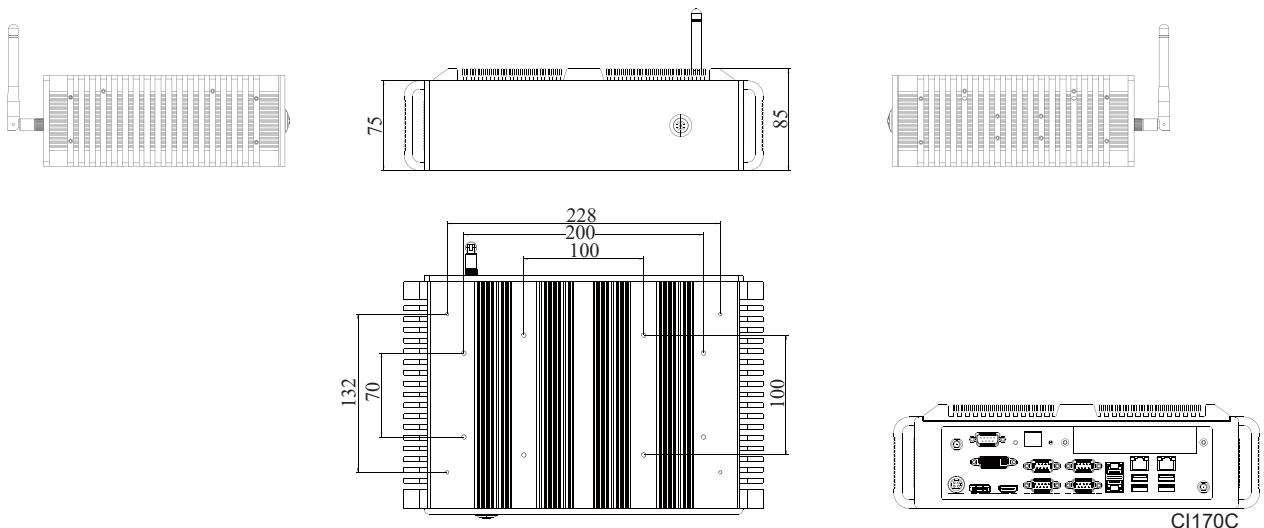
Environment

| | |
|-------------------|----------------------------------|
| Storage Temp. | -20°C to +50°C (Core i7 6700 TE) |
| | -20°C to +40°C (Core i7 6700) |
| | *W / Industrial SSD |
| Relative Humidity | 95% @ 40°C, non-condensing |

Certification

| |
|------------------|
| CE / FCC class A |
|------------------|

Dimension



Specification are subject to change without prior notice. ODM / OEM is available.