

SKY 3-3I170UW

Embedded Computer with 6th / 7th Gen Intel® Skylake-S / Kaby Lake-S i7 / i5 / i3 processor / 4 x independent USB 3.0 for machine vision camera



Features:

- 6th / 7th Gen Intel® Skylake-S / Kaby Lake-S i7 / i5 / i3 CPU / Q170 Chipset
- 2 x DDR4 SODIMM socket, Max. 64GB
- Multiple Independent display: DP, HDMI & VGA
- 4 x Renesas USB 3.0 with max. 2A output current
- 2 x Intel GbE, 2 x USB 3.0, 2 x COM
- 2 x Mini PCIe, 1 x SIM, 1 x M.2, 8DI / 8DO

Specifications :

Motherboard	3I170UW
CPU	Intel® Skylake-S / Kaby Lake-S i7 / i5 / i3 CPU
Chipset	Intel® Q170
Memory	2 x DDR4 SODIMM socket, Max. 64GB
Storage	mSATA, M.2, HDD / SSD*
Expansion slots	1 x Full-size Mini PCIe (PCIe / mSATA / USB), 1 x SIM 1 x Half-size Mini PCIe (PCIe / mSATA / USB) 1 x M.2 B Key (SATA / PCIe)
I/O ports	Network 2 x Intel GbE USB 4 x USB 3.0 (for Vision Camera) 2 x USB 3.0 Serial ports 2 x RS232 / 422 / 485 Display 1 x VGA, 1 x DP, 1 x HDMI GPIO 8 DI / 8 x DO
Optional Modules & Accessory	GPS, Bluetooth, PoE, WiFi, 4G LTE, Isolated COM, battery UPS, DI / DO, Video Input *SATA Kit, Wall / VESA Mount Kit, DIN Rail Mounting Kit *External power adapter
OS Support	7th Generation Intel® Core™ Processor family: Kaby Lake Windows® 10 IOT (64bit), Ubuntu 16.04.3 above, Fedora 26 above, CentOS 7.4 above 6th Generation Intel® Core™ Processor family: Skylake Windows® 10 IOT (64bit) Windows® 8.1 (64bit) Windows® Embedded 8 Standard (64bit) Windows® 7 (64bit) Windows® Embedded Sta 7 (64bit) Ubuntu 16.04.3 above, Fedora 26 above, CentOS 7.4 above

Mechanical

Dimensions	183W x 141D x 68.9H mm
Weight	2.8 kg
Mounting	DIN Rail Mount*, VESA Mount*, Wall Mount*

Power

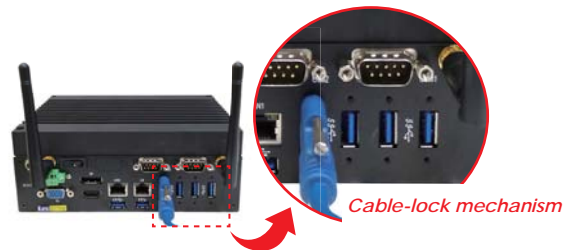
DC input	+9V~36V
AC input	External adapter 100 / 240V (optional)

Environment

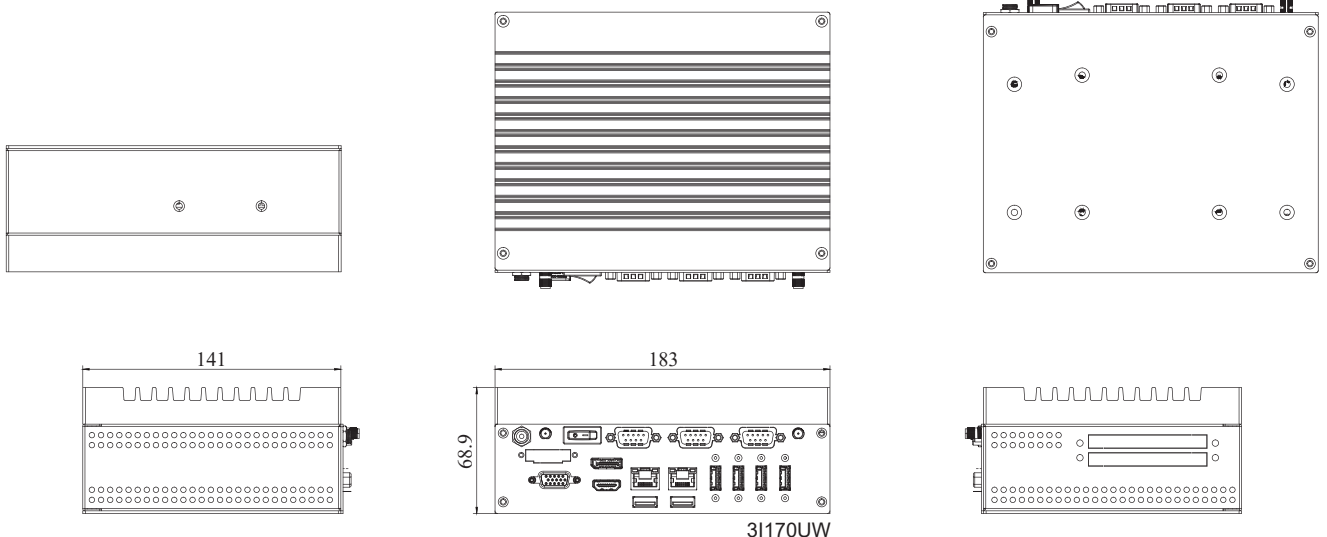
Operating Temp. (100 % CPU usage)	-20°C to +50°C (Core i7 6700TE) *W / Industrial SSD
Storage Temp.	-20°C to +70°C
Relative Humidity	95% @ 40°C, non-condensing

Certification

CE / FCC class A



Dimension



Specification are subject to change without prior notice. ODM / OEM is available.