



TWITTER 3I640DW

Fanless Embedded Computer with
Intel® Atom™ Elkhart Lake 6000 series Processor

Features:

- Intel® Elkhart Lake ATOM x6413E / Celeron J6412 Quad Core CPU
- 1 x DDR4 SODIMM, Max. 32GB
- 5 x 2.5GbE, 2 x COM, 2 x HDMI, 4 x USB
- 1 x Mini PCIe, 1 x M.2, 1 x Nano SIM
- Wide Range 9~36V DC input

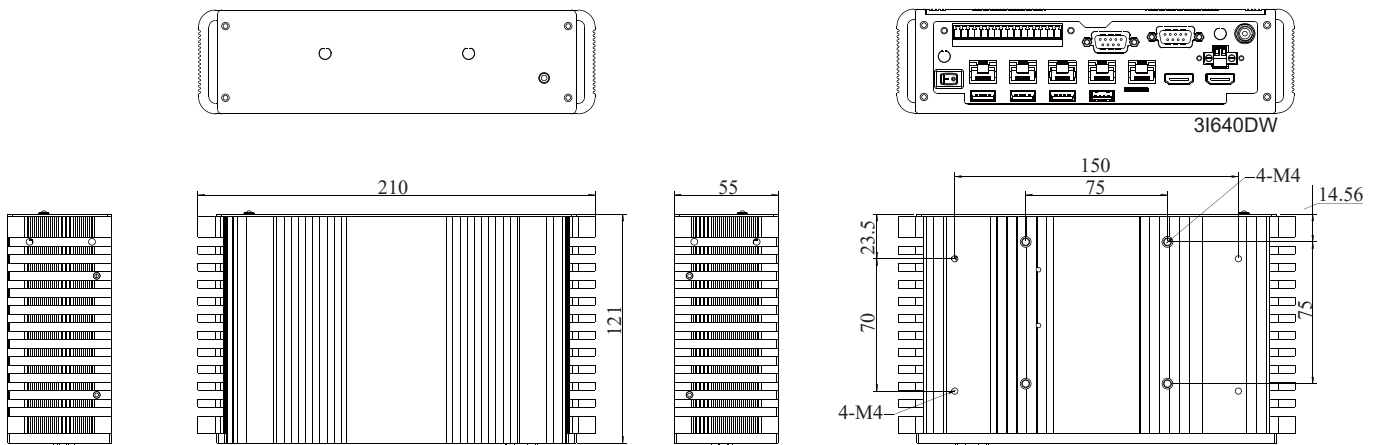
Specifications :

Motherboard	3I640DW
CPU	Intel® Elkhart Lake ATOM x6413E Quad Core 3.0 GHz CPU Intel® Elkhart Lake Celeron J6412 Quad Core 2.6 GHz CPU
Chipset	Intel® Elkhart Lake SoC
Memory	1 x DDR4 SODIMM, Max. 32GB
Storage	M.2, SSD HDD*
Expansion slots	1 x M.2 B Key Type 3042 (SATA / USB 2.0 / USB 3.0) 1 x Mini PCIe (USB 2.0 / PCIe-OEM to mSATA-share w/SATA) 1 x Nano SIM
I/O ports	Network 5 x Intel i225 / i226 2.5 GbE USB 1 x USB 3.0 3 x USB 2.0 Serial ports 2 x RS232 / 422 / 485 Display 2 x HDMI DI/O 4 DI / 4DO
Optional Modules & Accessory	4G / 5G, Wifi, Bluetooth, Digital I/O *SATA HDD Kit, *VESA Mount Kit *Wall mount Kit
OS Support	Windows® 11 IOT, Windows® 10 IOT Ubuntu 22.04 above, Fedora 36 above

Mechanical

Dimensions	210W x 121D x 55H mm
Weight	1.2 kg
Mounting	VESA Mount / Wall Mount*
Power	
DC input	+9~36V
AC input	External adapter 100 / 240V AC-DC 30W
Environment	
Operating Temp. (100 % CPU usage)	-20°C to +60°C with SSD
Storage Temp.	-20°C to +70°C
Relative Humidity	95% @ 40°C, non-condensing
Certification	CE / FCC class A

Dimension



Specification are subject to change without prior notice. ODM / OEM is available.