



Hailo-8™



M.2 M key M.2 B+M key

SKY 2 21110AW

Computing Vision IPC w /
11th Gen Intel® Core i Series CPU &
Pre-installed M.2 Hailo-8™ AI Accelerator

■ Features:

- 11th Gen Intel® Tiger Lake-UP3, i7 / i5 / i3 / Celeron CPU
- Pre-installed M.2 Hailo-8™ AI Accelerator
- 1 x DDR4 SODIMM socket, Max. 32GB
- Independent display: 4 x HDMI
- 3 x Intel 2.5 GbE LAN, 2 x USB 3.2, 2 x USB 2.0
- 2 x COM, 2 x M.2, DI/DO, SMBus

■ Specifications :

Motherboard	21110AW
CPU	11th Gen Intel® Tiger Lake-UP3, i7 / i5 / i3 / Celeron CPU
Chipset	Intel Tiger Lake-UP3 SoC
AI Accelerator	Pre-installed M.2 Hailo-8™ AI Accelerator
Memory	1 x DDR4 SODIMM socket, Max. 32GB
Storage	M.2-SSD*, SATA*
Expansion slots	1 x M.2 B key Type 3042 (PCIe x2 / USB 3.2 / 2.0) 1 x M.2 M key Type 2242 (PCIe x4 / SATA) Support NVMe
I/O ports	Network 3 x Intel 2.5 GbE I225 USB 2 x USB 3.2 ; 2 x USB 2.0 Serial ports 2 x RS232 / 422 / 485 Display 4 x HDMI DI/DO 4DI / 4DO (optional to 2.5" SATA Kit)
Optional Modules & Accessory	Converter card CN064 for Wifi 6 Module Converter card CN067 for 4G / 5G Module *Wall Mount Kit, DIN Rail Mounting Kit *SATA Kit (optional to DI/DO)
OS Support	Windows® 10 IOT ; Windows® 11 IOT Ubuntu 22.04 above, Ubuntu 22.04 host OS, Hailo SW via Ubuntu container

■ Mechanical

Dimensions	141W x 111.2D x 71.9H mm
Weight	1.46 kg
Mounting	DIN Rail Mount*, Wall Mount*

■ Power

DC input	Wide Range +9~36V
----------	-------------------

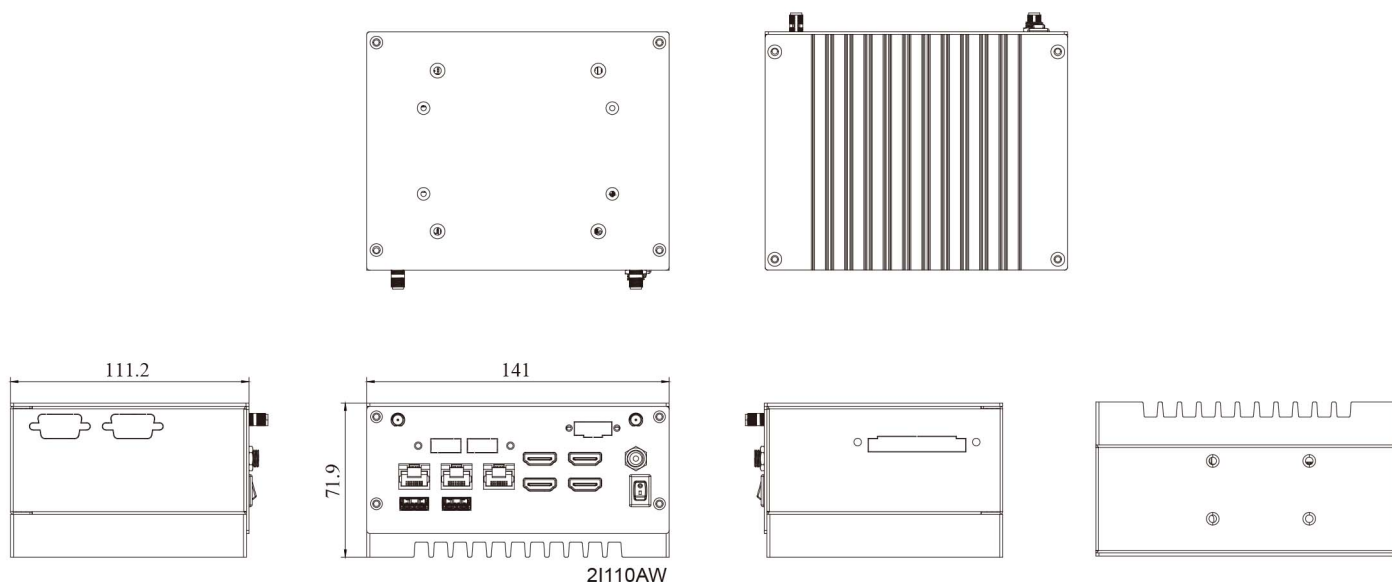
■ Environment

Operating Temp. (100 % CPU usage)	-20°C to +60°C (Core i7 1185GRE)
Storage Temp.	-20°C to +70°C
Relative Humidity	95% @ 40°C, non-condensing

■ Certification

CE / FCC class A	
------------------	--

■ Dimension



21110AW

Specification are subject to change without prior notice. ODM / OEM is available.