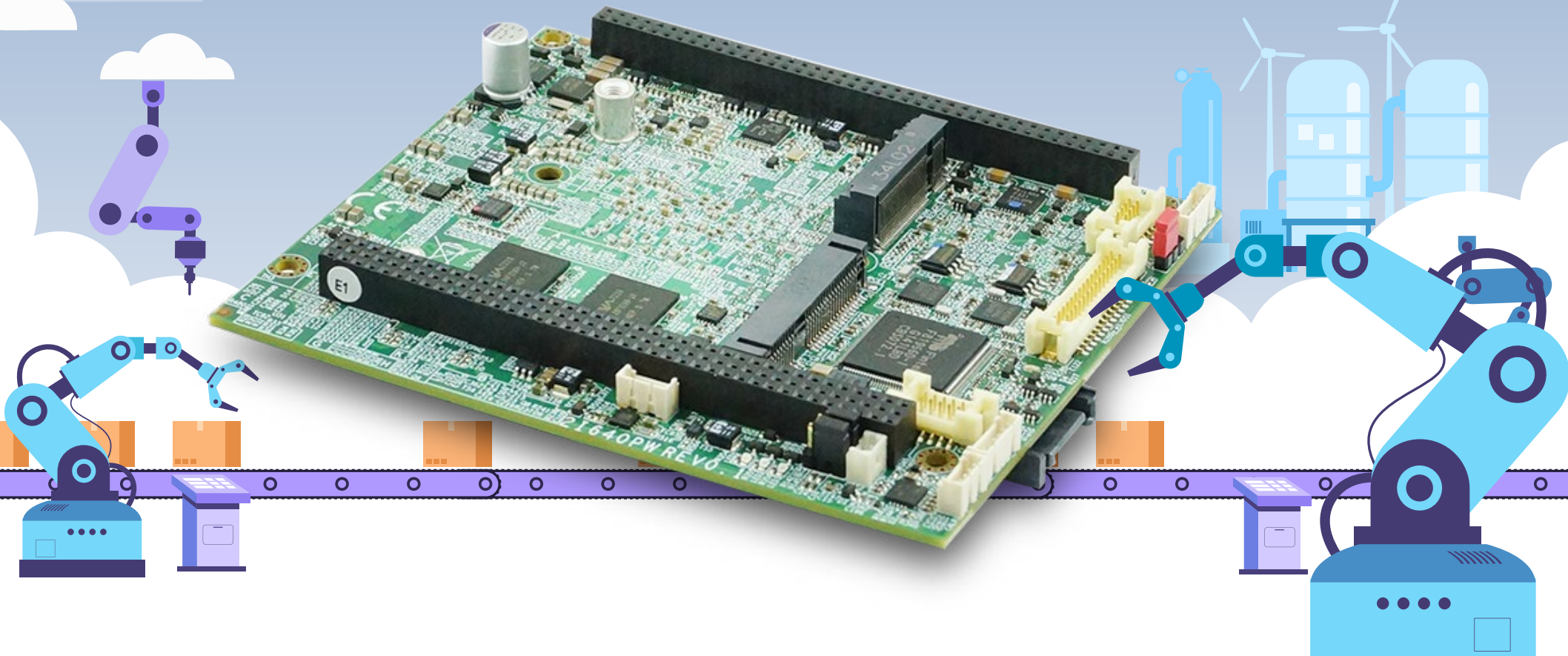


# Discover more flexibility & shorter development time with LEX PICO Express® technology

– Intel® Atom™ (Elkhart Lake) Computer-on-Module with full-features, compact Evaluation Carrier Board



**Lex** SYSTEM®

[www.lex.com.tw](http://www.lex.com.tw)

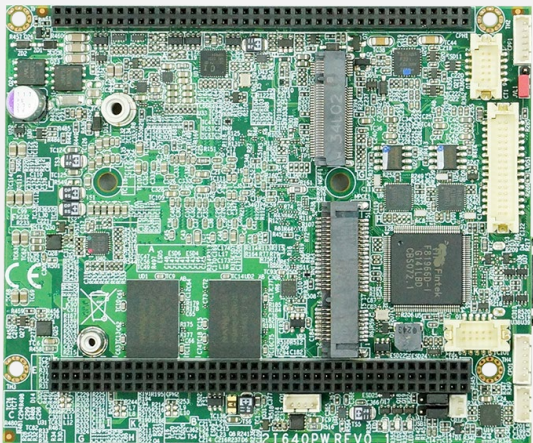
**2I640PW**

# 2I640PW



## Discover more flexibility & shorter development time with LEX PICO Express<sup>®</sup> technology

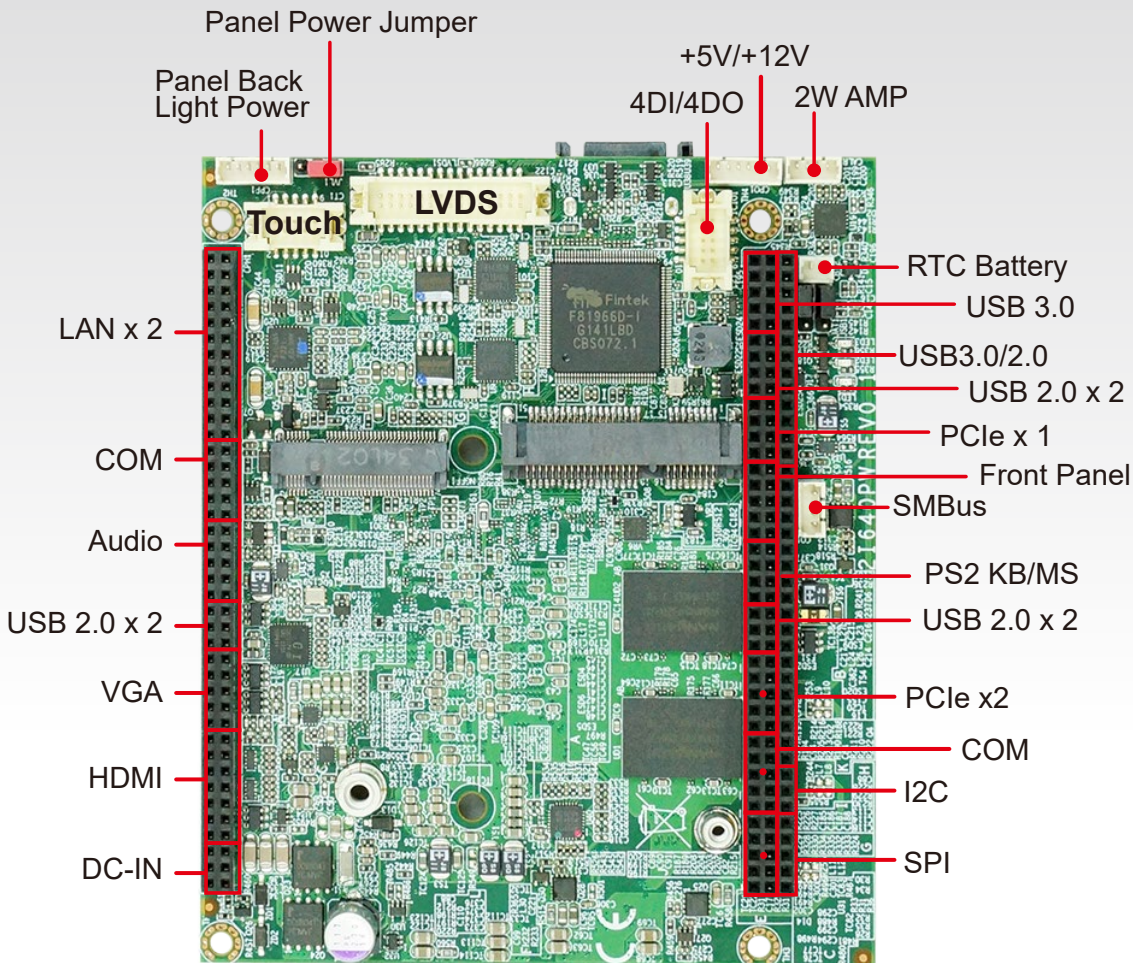
- Intel<sup>®</sup> Atom<sup>™</sup> (Elkhart Lake) Computer-on-Module with full-features, compact Evaluation Carrier Board



LEX SYSTEM 2I640PW is a next-generation compact computer module (102 x 85mm) equipped with the Intel Atom<sup>®</sup> x6000E series processor, LPDDR4 onboard memory, and Pico-Express technology connector. Connecting to the carrier board via LEX Pico-Express pin-connectors, it provides HDMI, LVDS, VGA, 2 x Intel 2.5GbE, 4 x COM, 2 x USB 3.0, 5 x USB 2.0, 1 x Mini PCIe, 1 x M.2, 1 x PCIe x1, and 1 x PCIe x2 for efficient I/O expansion. With a focus on low power consumption, flexibility, and rapid development, the 2I640PW allows for the creation of tailored I/O carrier boards for diverse industries, making it an ideal platform for fanless industrial IoT applications, including industrial automation, military, and transportation.



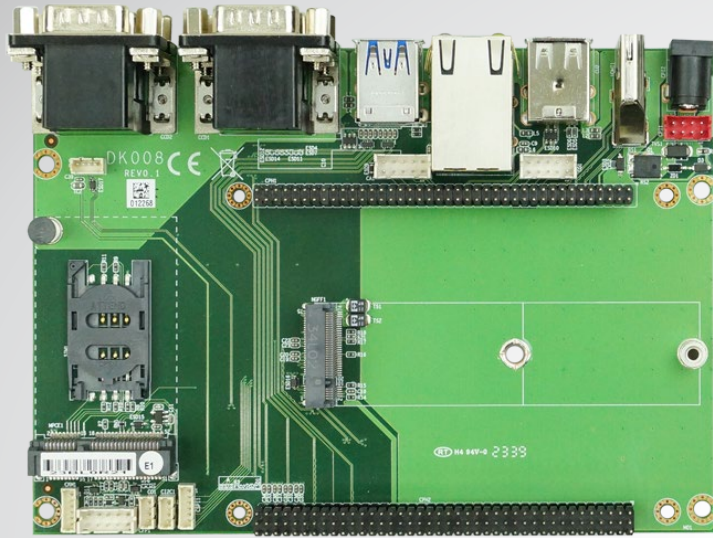
# Feature



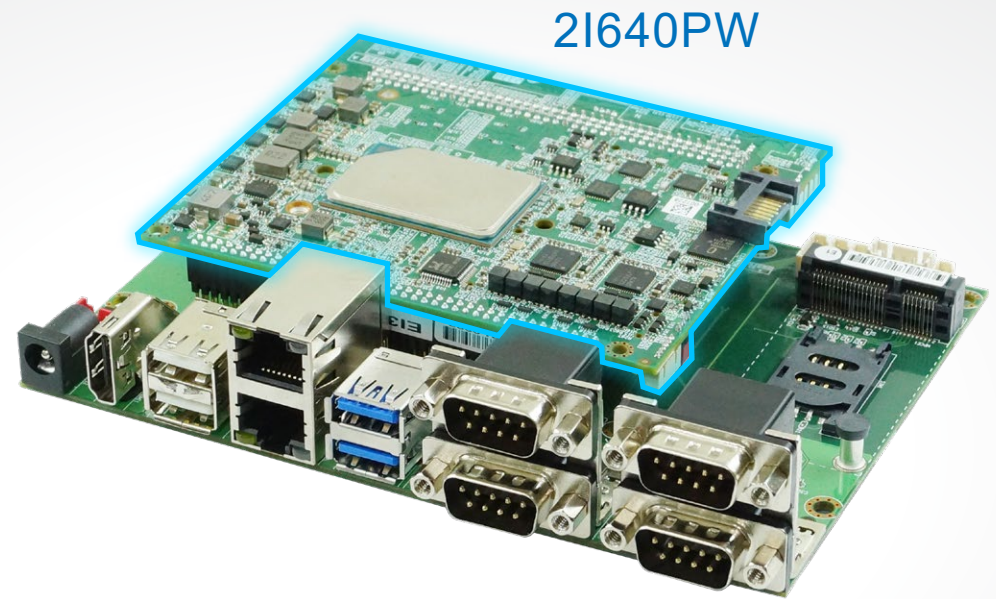
## 2I640PW Spec

- Intel® Elkhart Lake ATOM® x6413E / J6412 CPU
- On Board LPDDR4 4GB or 8GB
- Independent display: 1 x HDMI, 1 x LVDS, 1 x VGA
- 2 x Intel 2.5 GbE LAN, 2 x USB 3.0, 5 x USB 2.0
- 4 x COM, 1 x Mini PCIe, 1 x M.2
- 1 x PCIe x1, 1 x PCIe x2 (Pico-Express)
- Touch Screen, HD Audio, 4DI / 4DO





DK008



21640PW

21640PW + DK008

## LEX PICO Express® evaluation carrier boards:

DK008 help customers evaluate the features and performance of 21640PW that demonstrate optimized and tested solutions for tailored application.

## About LEX Computech

Established in 1990, LEX Computech is an industrial computer manufacturer, provides LEX SYSTEM embedded solutions include designing and manufacturing of industrial motherboards, fanless embedded systems, rugged panel PC, in-vehicle fanless PC, network appliances, machine vision and automation controllers & IoT related solutions.

LEX SYSTEM's R&D team consisted with electronics, layout, system, mechanical, BIOS, firmware as well as software engineers, plus with experienced project management, in-house manufacturing and after sales service provides ODM /OEM customized products for various application-oriented projects.

### Taiwan Headquarters LEX Computech Co. Ltd

Tel: 886 2 2228-1055  
Fax: 886 2 2228-1056  
Email:  
lex.sales@lex.com.tw  
www.lex.com.tw

### Europe Branch Office LEXCOM B.V.

Tel: 31 73 687-2390  
Fax: 31 73 687-2398  
Email:  
info@lex.com.tw  
www.lex.com.tw

### CHINA Distributor

Tel: 18500172031 or 13823511963  
E-mail: peter@lex.com.tw  
  
Tel:15829309561  
Tel:13379296808 同微信号  
E-mail: robin@lex.com.tw