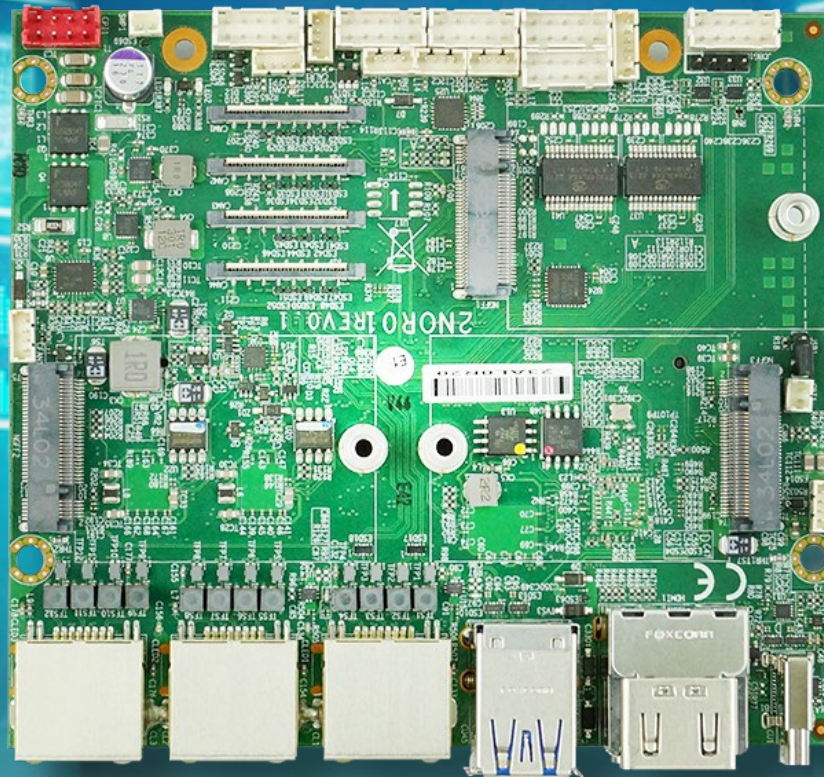


2NOR01

Edge AI Solution with NVIDIA Jetson Orin NX / Nano platform



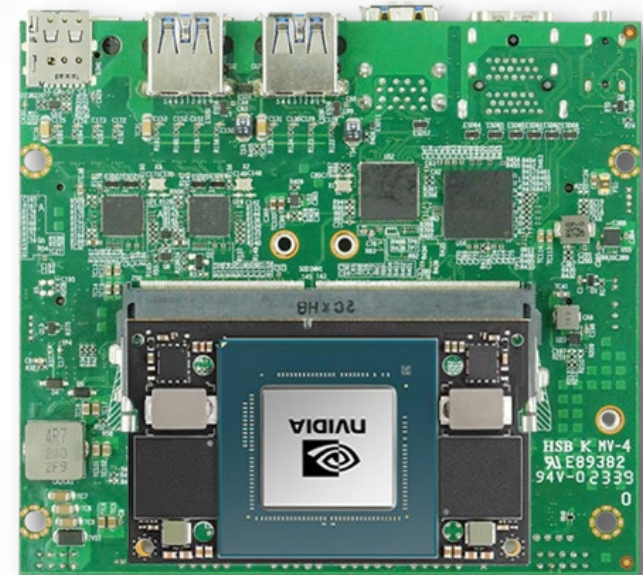
2NOR01

2NOR01

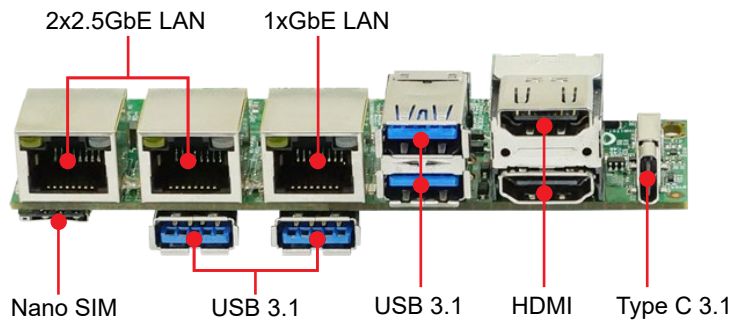
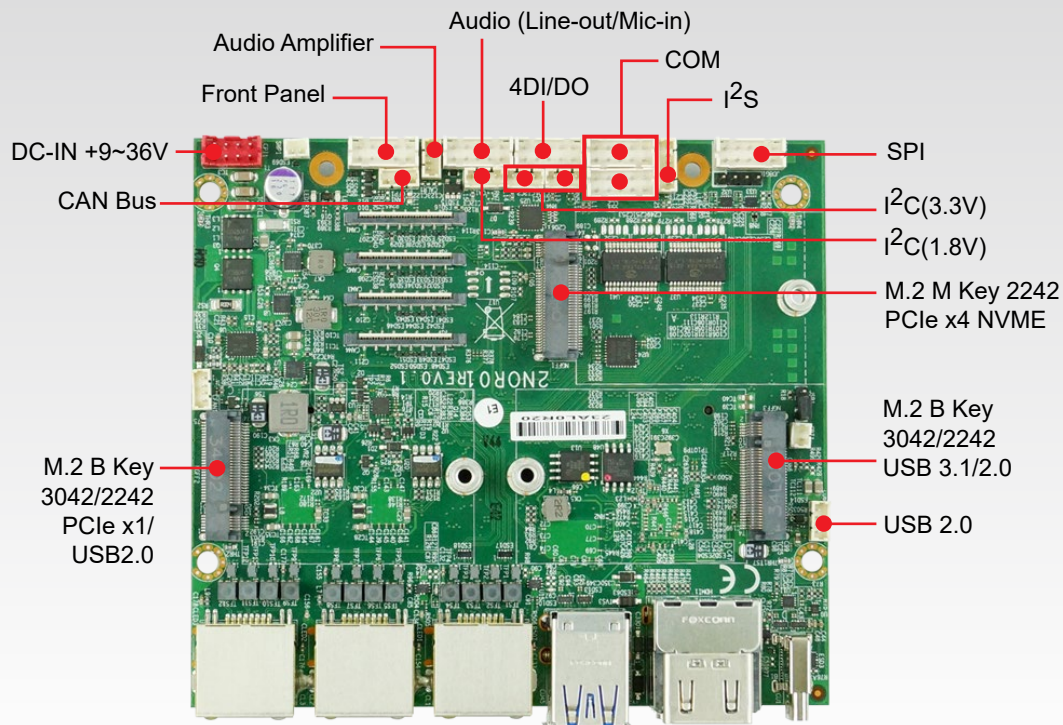
2NOR01- Edge AI Solution with NVIDIA Jetson Orin NX / Nano platform

LEX SYSTEM 2NOR01 leverage the NVIDIA Jetson Orin NX / Nano modules to deliver AI performance with 40 up to 100 (TOPS) at the edge which is uniquely suited to AI video compute-intensive applications.

2NOR01 delivers I/O including 3 x LAN, 2 x HDMI, 1 x Nano SIM, 4 x USB 3.1, 1 x Type C USB 3.1/2.0 (OTG), 1 x USB 2.0, 3 x M.2, 2 x COM, 1 x CANBus, HD Audio for implementing AI video solutions and can fulfill requirements in various applications.



Function Map



2NOR01

2NOR01 – Compact Edge AI solution for ARM-based embedded Applications

CPU Board:

- NVIDIA Jetson Nano: 4 / 8GB LPDDR5, 20 / 40 TOPs
- NVIDIA Jetson NX: 8 / 16GB LPDDR5, 70 / 100 TOPs
- AI Accelerator: NVIDIA® Jetson Orin™ Nano / Orin™ NX

Features:

- 2 x HDMI 2 x 2.5GbE, 1 x GbE
- 4 x USB 3.1, 1 x Type C USB 3.1 / 2.0 (OTG), 1 x USB 2.0
- Mic-in / Line-out ; AMP 2W
- 2 x RS232 (Option RS422), 1 x CANBus
- 1 x M.2 M key 2 x M.2 B key, 1 x SIM, 4DI / 4DO
- SPI, I2S, I2C, USB 2.0

Data Sheet



SKY 2 2NOR01

Compact Fanless AI Box :

NVIDIA® Jetson Orin™ Nano / Orin™ NX SoM+ 2NOR01

Dimension : 41W x 111.2D x 71.9H mm

- Compact Excellent heat-dissipating DIN-Rail System

About LEX Computech

Established in 1990, LEX Computech is an industrial computer manufacturer, provides LEX SYSTEM embedded solutions include designing and manufacturing of industrial motherboards, fanless embedded systems, rugged panel PC, in-vehicle fanless PC, network appliances, machine vision and automation controllers & IoT related solutions.

LEX SYSTEM's R&D team consisted with electronics, layout, system, mechanical, BIOS, firmware as well as software engineers, plus with experienced project management, in-house manufacturing and after sales service provides ODM /OEM customized products for various application-oriented projects.

Taiwan Headquarters LEX Computech Co. Ltd

Tel: 886 2 2228-1055
Fax: 886 2 2228-1056
Email:
lex.sales@lex.com.tw
www.lex.com.tw

Europe Branch Office LEXCOM B.V.

Tel: 31 73 687-2390
Fax: 31 73 687-2398
Email:
info@lex.com.tw
www.lex.com.tw

CHINA Distributor

Tel: 18500172031 or 13823511963
E-mail: peter@lex.com.tw

Tel:15829309561
Tel:13379296808 同微信号
E-mail: robin@lex.com.tw